



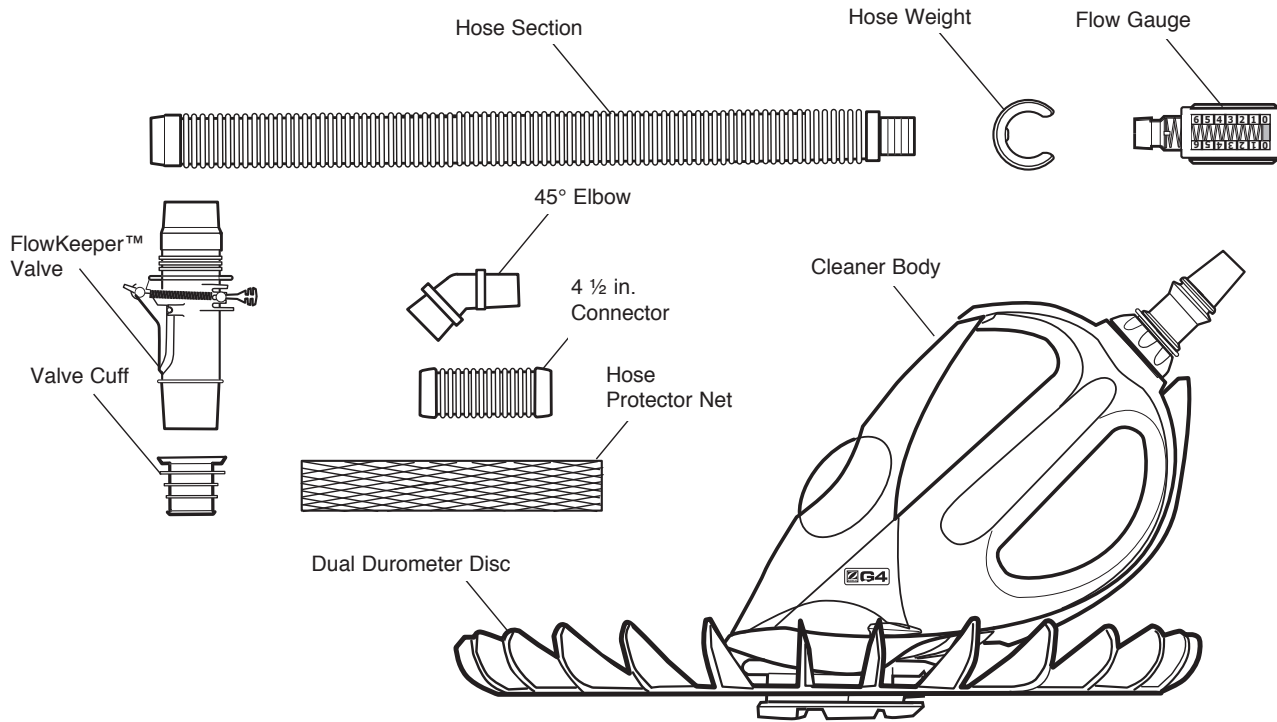
OWNER'S MANUAL



BARACUDA®
G4

Introduction

Congratulations on the purchase of your new G4 automatic pool cleaner. Built with proven Baracuda technology, the G4 is designed and manufactured for easy installation, and years of carefree operation. Before installing the cleaner, please take a few moments to become familiar with its components and to review the items listed under **Important Information**.



Important Information

WARNING

RISK OF SUCTION ENTRAPMENT HAZARD, WHICH, IF NOT AVOIDED CAN RESULT IN SERIOUS INJURY OR DEATH. READ THIS MANUAL IN ITS ENTIRETY BEFORE INSTALLING AND OPERATING THE CLEANER. Ensure that your vacuum suction fittings installed in your pool for connection of your suction-side pool cleaner are certified as being compliant with applicable safety standards such as IAPMO SPS 4. Do not block the suction fittings in the pool, the suction opening on the cleaner, or the cleaner hoses with any part or your body. Do not expose your hair, loose clothing, jewelry, etc. to any suction outlet fittings in the pool/spa or on the cleaner.

Notice for Vinyl Liner Pools: Before installing your new pool cleaner, examine the interior of your pool carefully. If the vinyl liner is brittle or has stones, wrinkles, roots or metal corrosion in contact with the underside of the liner, or has damage to the base material or supporting walls, do not install the cleaner before having a qualified professional perform the necessary repairs or liner replacement. **Zodiac will not be responsible for liner damage caused by a cleaner which is in disrepair, pattern removal from a vinyl liner, or a cleaner used in a pool having an aged or deteriorated liner.** Please see Limited Warranty.

- To help prevent suction entrapment accidents, wall vacuum fittings should have a safety vac lock installed. Contact your builder or retail pool professional for details.
- Clean the skimmer basket, pump basket and pool filter before installing the cleaner and on a regular basis thereafter.
- Always disconnect the cleaner from the pool wall or skimmer before cleaning or backwashing the pool filter. After cleaning or backwashing, let the filtration system run for at least five (5) minutes before re-connecting the cleaner.
- Remove the cleaner from the pool before chemical or shock treatments. Wait a minimum of 4 hours after super chlorination before re-installing the cleaner.

For customer service or support:

Zodiac Pool Systems Canada, Inc.

2115 South Service Road West, Unit 3
Oakville, ON, Canada L6L 5W2
1-888-647-4004

www.zodiacpoolsystems.ca

To ensure prompt warranty service, should it be required, please:

- Complete and return the Baracuda Warranty Card.
- Record your purchase information.
- Attach a copy of your purchase receipt to this document.

Date of Purchase: _____ Purchased From: _____

Serial Number (Located on underside of cleaner) _____

If service is required, simply present your manual with the attached receipt at any Baracuda authorized warranty center.

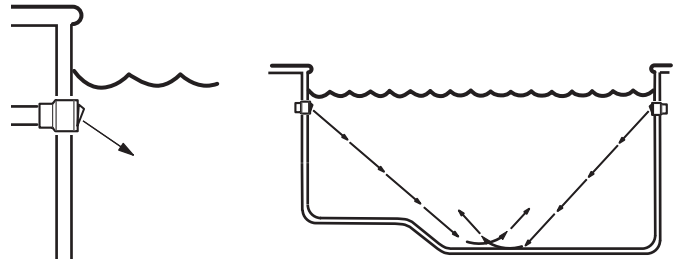
Installation

Prepare the Pool

1. Manually vacuum the pool if excessive debris is present, and make sure the pool filter and pump basket are clean.
2. Close the pool main drain line.
3. **Adjust the return lines to blow downward to break up surface circulation and ensure complete cleaning coverage.**

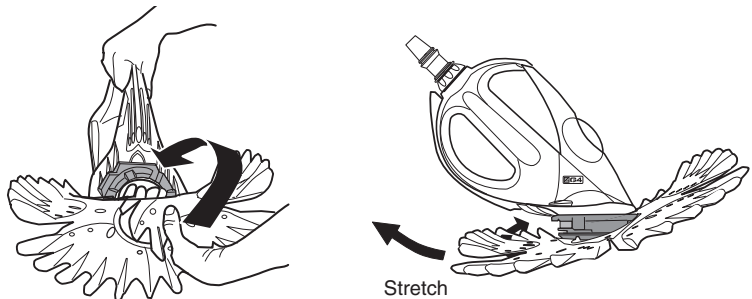
- Loosen the fitting lock ring
- Redirect the eyeball downward
- Retighten the lock

If the return fitting cannot be adjusted, the fitting **MUST** be replaced with Zodiac return line diverter (part #W90155 for 2 in. or #W24100 for pools without return fittings).



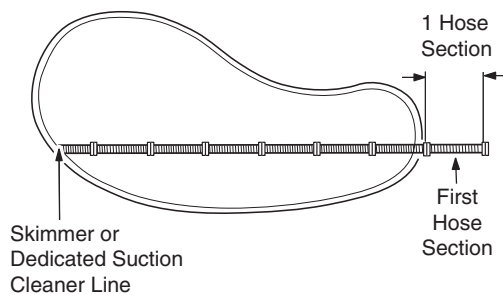
Assemble the Cleaner

Stretch the dual durometer disc over the foot pad with the fins pointing up. The disc should fit securely in the grooves and rotate freely on the pad.

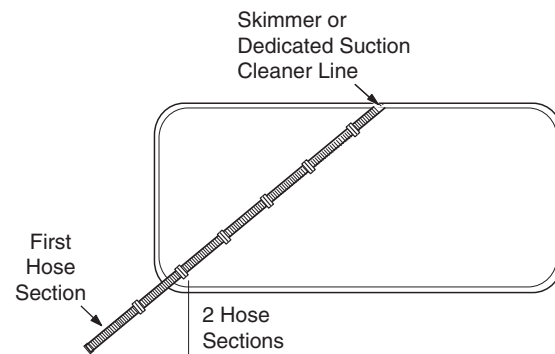


Assemble the Hose

For corner or end installations, connect enough hose to reach the farthest point of the pool and then add one more section.



For center installations, connect enough hose to reach the farthest point of the pool and then add two more sections.



Position the hose weight 1,5 m (5 ft.) from the end of the hose that will connect to the cleaner.

Connect the Hose

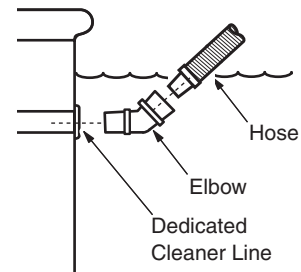
WARNING

RISK OF SUCTION ENTRAPMENT HAZARD, WHICH, IF NOT AVOIDED CAN RESULT IN SERIOUS INJURY OR DEATH. READ THIS MANUAL IN ITS ENTIRETY BEFORE INSTALLING AND OPERATING THE CLEANER. Ensure that your vacuum suction fittings installed in your pool for connection of your suction-side pool cleaner are certified as being compliant with applicable safety standards such as IAPMO SPS 4. Do not block the suction fittings in the pool, the suction opening on the cleaner, or the cleaner hoses with any part of your body. Do not expose your hair, loose clothing, jewelry, etc. to any suction outlet fittings in the pool/spa or on the cleaner.

Submerge the hose completely, removing all air. **Tip:** Turn on the pump, place the hose in front of the return line until it is flooded. Turn off the pump.

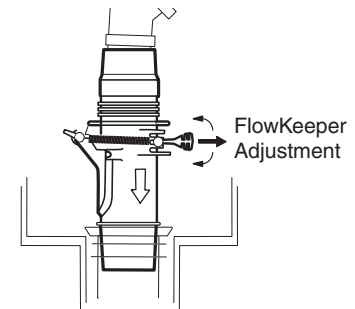
To connect to a dedicated suction line:

1. Insert the male end of the hose into the large end of the 45° elbow.
2. Connect the elbow to the safety vac wall fitting.
3. Angle the elbow upward towards the water surface.



To connect to a skimmer:

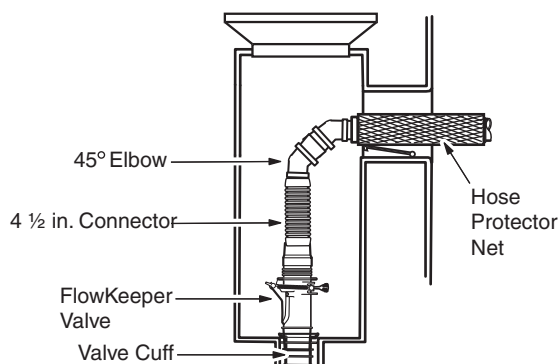
The **FlowKeeper™ valve must always be used in single skimmer installations.** The valve regulates flow to ensure the pool pump and cleaner run properly. It is pre-set at the factory to optimize the performance of the cleaner, but offers three (3) settings to adjust the flow. The lower the setting number, the lower the flow. To adjust, pull the handle and move setting up or down. The red tab can be used to open the valve and stop the cleaner.



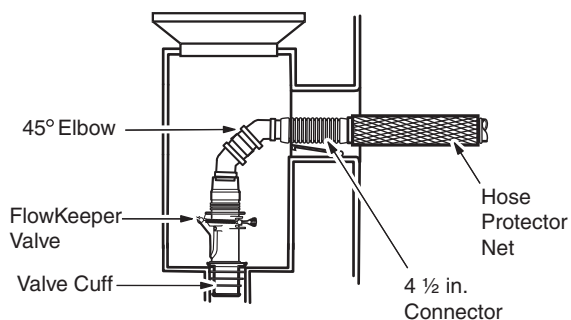
If the pool has more than one skimmer, connect the hose to the one closest to the pump.

The parts used to connect the hose, and the sequence in which they are installed depends on the type of skimmer.

Deep Skimmer



Shallow Skimmer

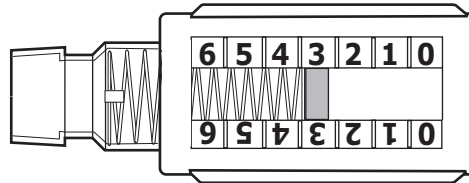


1. Remove the skimmer basket.
2. Insert the valve fitting and connect the FlowKeeper with the arrow pointing down towards the skimmer pipe.
3. Attach the hose protector net to the hose section that goes into the skimmer.
4. Choose the fitting combination that best suits the skimmer to complete the connection.

Test and Adjust for Proper Flow

Keeping the hose submerged, attach the Flow Gauge to the hose and turn on the pump.

Verify that the red indicator in the gauge (viewed from the side) is at the Number 3 setting.



If necessary, use the valves in the pool equipment area to adjust the flow.

- **For skimmer connections on pools with one skimmer**, flow is automatically regulated by the FlowKeeper™ Valve. The red indicator should be at the proper setting.
- **For skimmer connections on pools with more than one skimmer**, leave the valve for the skimmer connected to the hose open and slowly close the other until the proper setting is reached.
- **For dedicated suction line connections**, leave the vacuum line open and slowly close the skimmer line until the flow is at the proper setting.

If flow is in the low range (0-2):

- Check and clean the pool filter and baskets if necessary.
- Verify that valves controlling the suction lines are in the correct position.

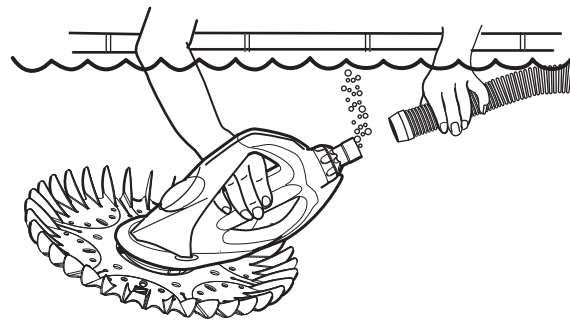
If flow is in the high range (4-6):

- Verify that valves controlling the suction lines are in the correct position.
- Lower the flow setting on the FlowKeeper Valve.
- Open the main drain slightly to further reduce flow.

Connect the Cleaner

Turn off the pump. Keeping the hose underwater, remove the Flow Gauge.

1. Submerge the cleaner and flood it with water.
2. When bubbles stop coming from the extension pipe, connect the hose to the cleaner.
3. Allow the cleaner to drift to the bottom of the pool.
4. Turn on the pool pump and begin cleaning.



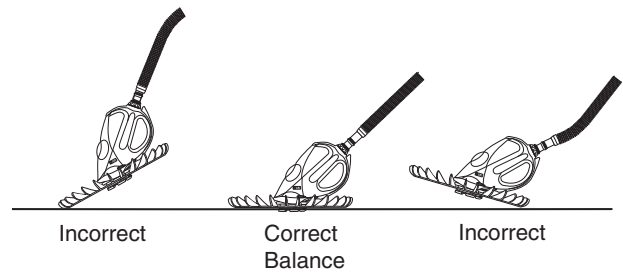
Operation and Maintenance

Fine Tuning Cleaner Performance

The G4 cycles on/off with the pool filtration pump vacuuming and cleaning all surfaces randomly throughout the pool. The coverage of the G4 is dependent on the pool's shape and available water flow. In some applications, adjustments may be necessary to optimize cleaning coverage.

A properly balanced hose will create a 45-degree angle to the cleaner and the bottom of the pool. To correct the balance, improve coverage or keep the cleaner from climbing walls excessively, snap a weight onto the hose about 1,5 m (5 ft.) from the cleaner.

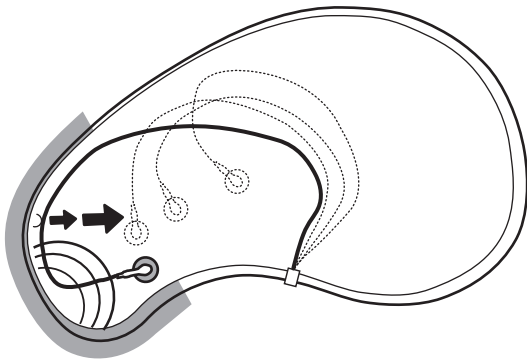
In pools 2,6 m (8 ½ ft.) or deeper, an extra hose weight (part #W83247) may be necessary. Attach the weight 1,5 to 2,4 m (5 to 8 ft.) from the cleaner.



A return line can be used to guide the cleaner away from steps or areas with V-shaped corners, and reduce patterning.

Direct the return to gently push the cleaner hose by positioning the return directional so it aims towards the wall on the opposite side of the pool, and surface movement is visible 2,4 m (8 ft.) out from the return.

In this example, any return within the grey area can be used.



Routine Maintenance

To maintain performance:

- Never coil the hose. Straighten a coiled hose with warm water or by laying it in the sun for a day. **A kinked or coiled hose will adversely effect the G4's coverage of the pool.**
- When not in the pool, keep the disc flat to avoid warping.
- Periodically inspect cleaner parts for wear. Replace the footpad when the depths of the channels between the treads are 3 mm (1/8 in.) or less.
- Empty the pump basket regularly. The more debris in the pool, the more often it should be cleared.
- Always disconnect the cleaner before cleaning or backwashing the pool filter. After cleaning, let the filtration system run for at least five minutes before re-connecting the cleaner.

Clearing the Diaphragm

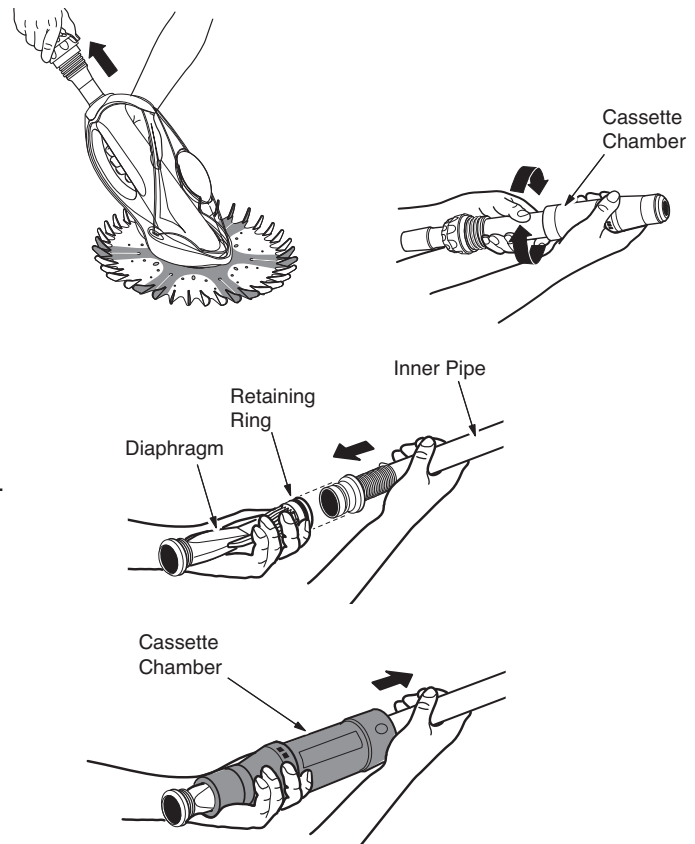
Use the Quick Access Cassette system to quickly clear the diaphragm or check it for damage.

To remove:

1. Unscrew the cassette and pull it out of the cleaner.
2. Loosen the cassette chamber; pull out the inner pipe and diaphragm.
3. Pull off the diaphragm.
Inspect it for debris or wear, and rinse it thoroughly with water. Replace if necessary.

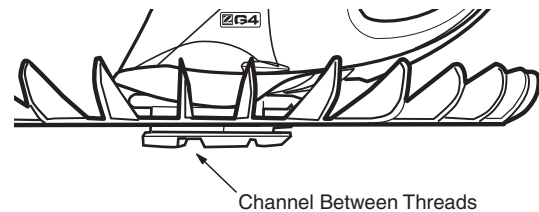
To reinstall:

1. Verify that the retaining ring is on the diaphragm.
2. Push diaphragm onto inner pipe.
3. Pull inner pipe and diaphragm through until the diaphragm seats against the lip.
4. Reconnect the cassette and reinstall on cleaner.



Replacing the Foot Pad

The foot pad should be replaced when the depths of the channels between the treads are 3 mm (1/8 in.) or less. Contact your Zodiac Dealer for assistance with replacing this part.



Storage and Winterizing

Never coil the hose. Store the G4 out of direct sunlight.

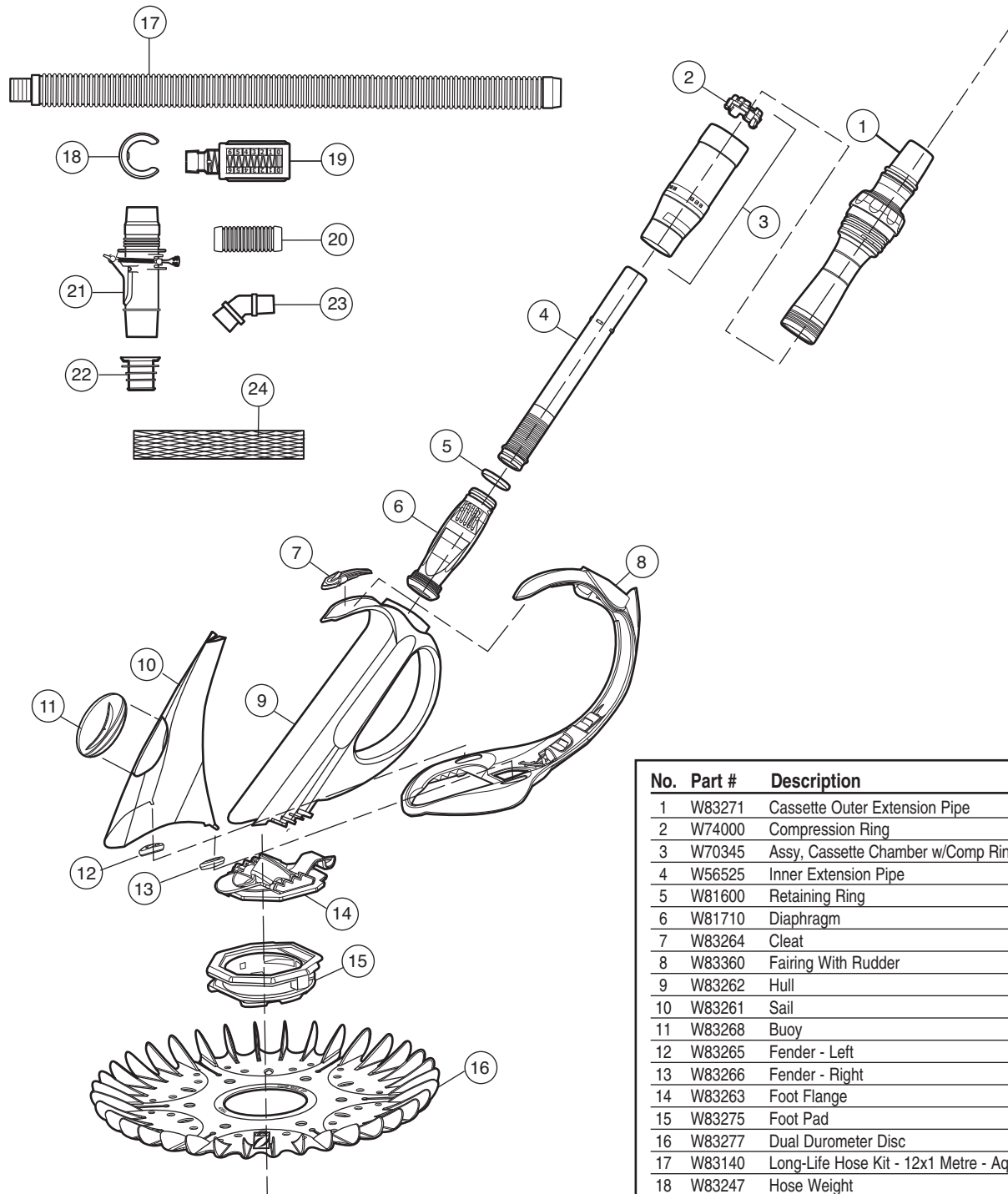
When storing for the winter, drain all water from the cleaner. Remove all connectors and adapters from the dedicated suction line or skimmer. Store the disc flat, and hose sections disconnected, drained and straight.

Troubleshooting

If you experience a problem with your G4, please follow the troubleshooting steps below to restore performance. If further assistance is required, contact Zodiac Customer Service. Please have your serial number and date of purchase available when you call.

Problem	Solution
Cleaner does not move or moves slowly.	<ul style="list-style-type: none"> • Confirm that the main drain is closed. • Use Flow Gauge to verify proper flow. Note: In water 16° C (60° F) or less, it may be necessary to increase flow to compensate for the reduced flexibility of the hose and diaphragm. • Check diaphragm for damage or wear. • Backwash filter and empty pump basket. • Check for air in system. If water level in pump basket drops or you see excessive air bubbles in the pump basket or coming from the return lines, there is air in the system. Check hose connections, tighten all fittings at pump and check gasket in pump basket for wear.
Cleaner patterns, does not cover entire pool.	<ul style="list-style-type: none"> • Use Flow Gauge to verify proper flow. Increase flow to improve climbing. Reduce to move cleaner off the walls. • Ensure return fittings are directed down. Add a return diverter if necessary. • Make sure hose is not coiled or kinked. Lay in sun to straighten if necessary. • Verify correct positioning of hose 1,5 m (5 ft.) from cleaner. • Confirm proper hose length.
Cleaner gets stuck at steps.	<ul style="list-style-type: none"> • Use Flow Gauge to verify proper flow. • Confirm proper hose length. Shorten if necessary. • Use return jets to guide cleaner.
Cleaner stays on walls or edge of pool.	<ul style="list-style-type: none"> • Using Flow Gauge as guide, reduce flow to cleaner. • Verify correct positioning of hose weight 1,5 m (5 ft.) from cleaner.
Cleaner won't climb walls.	<p>Note: Cleaner may not climb walls in some vinyl pools or pools with safety ledges.</p> <ul style="list-style-type: none"> • Using Flow Gauge as guide, increase flow to cleaner. • Verify correct positioning of hose weight 1,5 m (5 ft.) from cleaner.

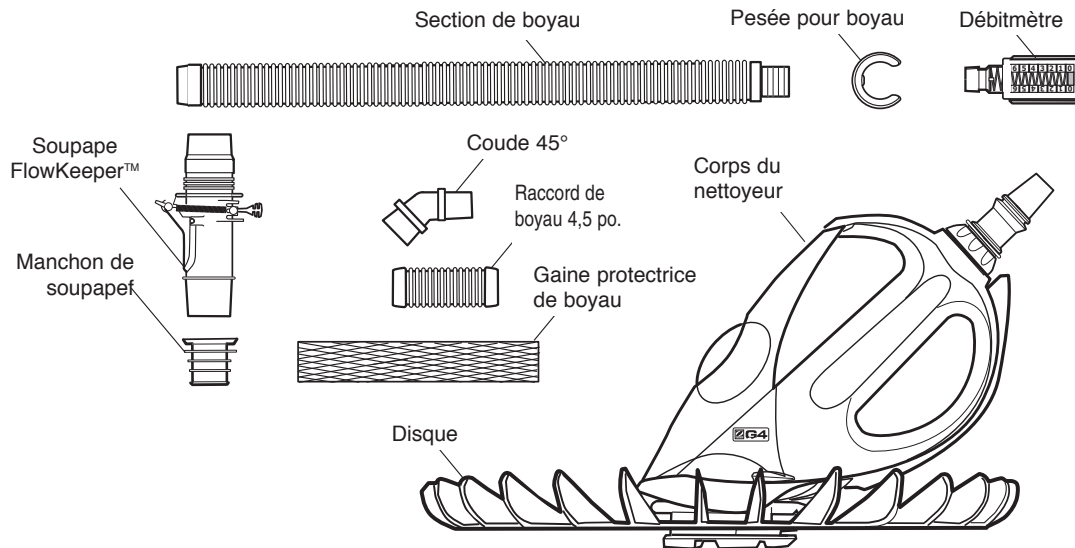
Zodiac G4 Parts Diagram



No.	Part #	Description	Qty
1	W83271	Cassette Outer Extension Pipe	1
2	W74000	Compression Ring	1
3	W70345	Assy, Cassette Chamber w/Comp Ring	1
4	W56525	Inner Extension Pipe	1
5	W81600	Retaining Ring	1
6	W81710	Diaphragm	1
7	W83264	Cleat	1
8	W83360	Fairing With Rudder	1
9	W83262	Hull	1
10	W83261	Sail	1
11	W83268	Buoy	1
12	W83265	Fender - Left	1
13	W83266	Fender - Right	1
14	W83263	Foot Flange	1
15	W83275	Foot Pad	1
16	W83277	Dual Durometer Disc	1
17	W83140	Long-Life Hose Kit - 12x1 Metre - Aqua	1
18	W83247	Hose Weight	1
19	W70335	Flow Gauge	1
20	W33160	4 1/2 in. Connector - Aqua	1
21	W60050	Flowkeeper Valve	1
22	W70263	In-ground Valve Cuff	1
23	W70244	45° Elbow	2
24	W33800	Hose Protector	1

Introduction

Nous vous félicitons d'avoir acheté un nouvel appareil automatique de nettoyage G4. Sa construction s'appuyant sur la technologie éprouvée Baracuda, le G4 a été conçu et fabriqué pour être facilement installé et pour vous offrir des années de services sans souci d'entretien. Avant d'installer l'appareil de nettoyage, veuillez prendre un moment pour vous familiariser avec ses composants et pour examiner les points énumérés sous le titre « Informations importantes » ci-dessous



Informations importantes

AVERTISSEMENT

RISQUE DE PIÉGEAGE DANS LA CONDUITE D'ASPIRATION QUI, SI NON ÉVITÉ, POURRAIT ENTRAÎNER DES BLESSURES GRAVES OU LA MORT. LIRE LE PRÉSENT MANUEL EN ENTIER AVANT L'INSTALLATION ET LE FONCTIONNEMENT DU ROBOT. S'assurer que les raccords d'aspiration installés dans votre piscine pour connecter le robot de piscine du côté aspiration sont homologués aux normes de sécurité applicables telles que IAPMO SPS 4. Ne pas obstruer les raccords d'aspiration dans la piscine, l'ouverture de l'aspiration du robot ou ses flexibles avec quelque partie du corps que ce soit. Garder les cheveux, les vêtements amples, les bijoux, etc. loin des raccords d'aspiration de la piscine/du spa ou du robot.

Avis pour les piscines à garniture intérieure en vinyle : Avant d'installer votre nouvel appareil G4, veuillez soigneusement vérifier l'intérieur de votre piscine. Si la garniture en vinyle apparaît friable, si des pierres, des plis, des racines, ou des pièces métalliques corrodées se trouvent sous cette garniture, ou si l'assise ou les murs de soutiens sont endommagés, adressez-vous à un professionnel compétent afin qu'il fasse les réparations nécessaires ou qu'il remplace la garniture avant l'installation de l'appareil de nettoyage. **Zodiac n'assumera aucune responsabilité pour tout dommage à la garniture causé par un appareil de nettoyage en mauvais état, par le retrait d'une structure de garniture vinyle ou par l'utilisation de l'appareil de nettoyage dans une piscine dont la garniture est usée ou abîmée.** Veuillez consulter la garantie limitée.

- Afin d'éviter des accidents de blocage à l'aspiration, les raccords d'aspiration muraux devraient être munis d'un dispositif de fermeture de sécurité. Veuillez vous adresser au fabricant de la piscine ou à un détaillant pour plus de renseignements.
- Nettoyez le panier de l'écumoire, le panier de la pompe et le filtre de la piscine avant d'installer l'appareil de nettoyage, et ensuite entretenir régulièrement.
- Veuillez toujours débrancher le G4 avant de nettoyer le filtre de la piscine à contre-courant. Après tout nettoyage, faites marcher le système de filtration pendant au moins cinq minutes avant de brancher à nouveau l'appareil de nettoyage.
- Veuillez toujours retirer le G4 de la piscine avant de procéder à des traitements chimiques ou de choc. Après une superchloration de l'eau, attendez au moins quatre heures avant de réinstaller l'appareil de nettoyage.

Service clientèle et support : Zodiac Pool Systems Canada, Inc.

2115 South Service Road West, Unit 3

Oakville, ON, Canada L6L 5W2

1-888-647-4004

www.zodiacpoolcsystems.ca

Ces démarches vous assureront un service rapide si vous devez faire appel à votre garantie.

- Remplissez et renvoyez la fiche d'enregistrement de la garantie.
- Inscrivez les renseignements relatifs à votre achat.
- Joignez une photocopie de votre facture à ce document.

Date d'achat : _____ Fournisseur : _____

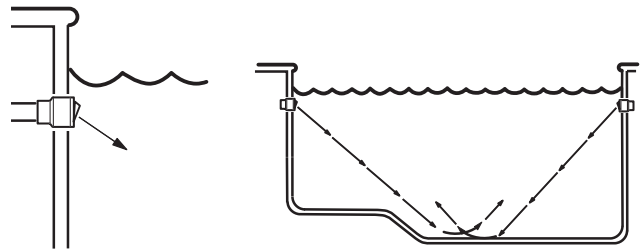
Numéro de série (situé en dessous de l'appareil) _____

Si une réparation ou un entretien sont nécessaires, vous n'aurez qu'à présenter votre Guide du propriétaire et votre facture dans un centre autorisé Zodiac n'importe où dans le pays.

Installation

Préparation de la piscine

1. Nettoyez manuellement la piscine avec un aspirateur si des débris sont présents en excès et vérifiez que le filtre de la piscine et le panier de la pompe sont propres.
2. Fermez le drain principal de la piscine.
3. Orientez les jets de refoulement vers le fond de la piscine pour interrompre la circulation à la surface pour garantir que le nettoyeur couvre la piscine au complet.
 - Desserrez la bague de retenue
 - Orientez la bille vers le bas
 - Resserrez la bague de retenue

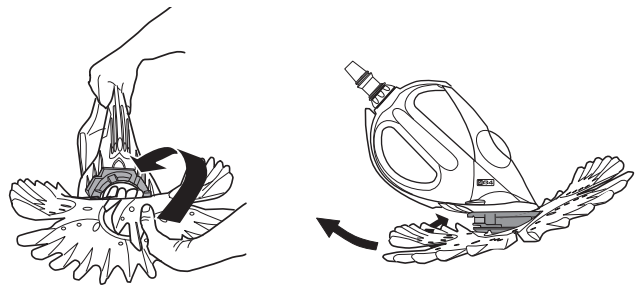


Si les jets de refoulement ne peuvent pas être ajustés, les jets de refoulement doivent être remplacés par un déflecteur de retour (pièce no. W90155 pour 2 po. ou no. W24100 pour les piscines sans raccord de retour).

Montage de l'appareil de nettoyage

Étirez le disque à deux duromètres pardessus la bague d'appui, les ailettes dirigées vers le haut. Le disque doit s'insérer fermement dans la rainure et tourner librement sur la coupelle.

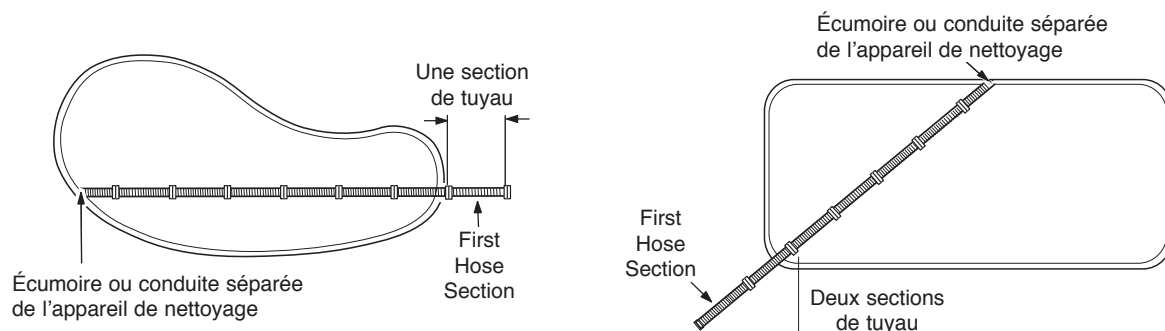
Faites glisser la roue déflectrice sur le tuyau-rallonge, pincez vers le haut, puis fixez-la entre les deux bourrelets inférieurs du tuyau. La roue déflectrice doit tourner librement.



Montage du boyau

Pour les installations en coin ou en bout de piscine, branchez une longueur suffisante de boyau pour atteindre le point le plus éloigné de la piscine et ajoutez une section supplémentaire.

Pour les installations au centre de la piscine, branchez une longueur suffisante de boyau pour atteindre le point le plus éloigné de la piscine et ajoutez deux sections supplémentaires.



Positionnez le poids de boyau à 1,5 m (5 pi) de l'extrémité du boyau qui doit se raccorder à l'appareil de nettoyage.

Branchement du boyau

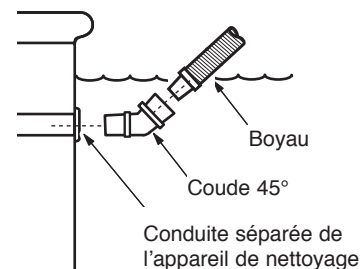
⚠ AVERTISSEMENT

RISQUE DE PIÉGEAGE DANS LA CONDUITE D'ASPIRATION QUI, SI NON ÉVITÉ, POURRAIT ENTRAÎNER DES BLESSURES GRAVES OU LA MORT. LIRE LE PRÉSENT MANUEL EN ENTIER AVANT L'INSTALLATION ET LE FONCTIONNEMENT DU ROBOT. S'assurer que les raccords d'aspiration installés dans votre piscine pour connecter le robot de piscine du côté aspiration sont homologués aux normes de sécurité applicables telles que IAPMO SPS 4. Ne pas obstruer les raccords d'aspiration dans la piscine, l'ouverture de l'aspiration du robot ou ses flexibles avec quelque partie du corps que ce soit. Garder les cheveux, les vêtements amples, les bijoux, etc. loin des raccords d'aspiration de la piscine/du spa ou du robot.

Mettez en marche le système de filtration et remplissez d'eau le boyau en positionnant l'extrémité devant une entrée de retour jusqu'à ce que le boyau soit noyé. Arrêtez la pompe de la piscine.

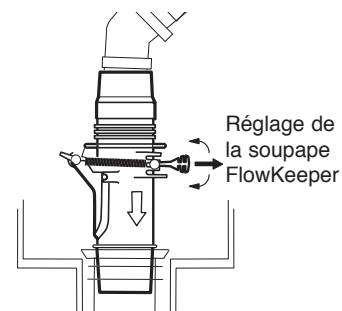
Pour raccorder une conduite d'aspiration séparée :

1. Introduisez l'extrémité mâle du boyau dans la branche large du coude à 45°.
2. Raccordez le coude dans le raccord mural d'aspiration de sécurité.
3. Inclinez le coude vers le haut, en direction de la surface de l'eau.



Pour raccorder une écumoire :

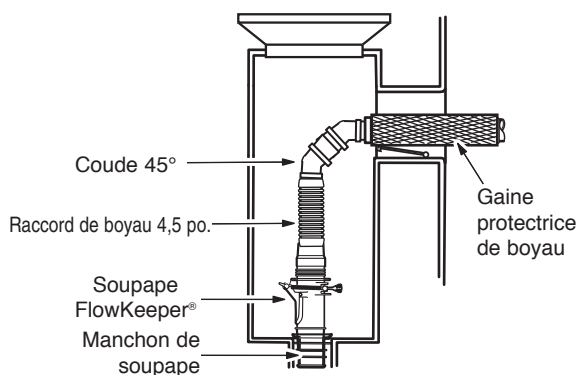
On doit toujours utiliser la soupape FlowKeeper™ dans les installations à une seule écumoire. La soupape régule le débit d'eau pour assurer que la pompe de la piscine et l'appareil de nettoyage fonctionnent correctement. Elle est pré-réglée à l'usine pour optimiser la performance de l'appareil mais trois réglages permettent d'ajuster le débit. Plus le chiffre est petit, plus le débit est faible. Pour ajuster le débit, tirez sur la poignée pour augmenter ou diminuer le réglage. Vous pouvez utiliser la languette rouge pour ouvrir la soupape et arrêter l'appareil.



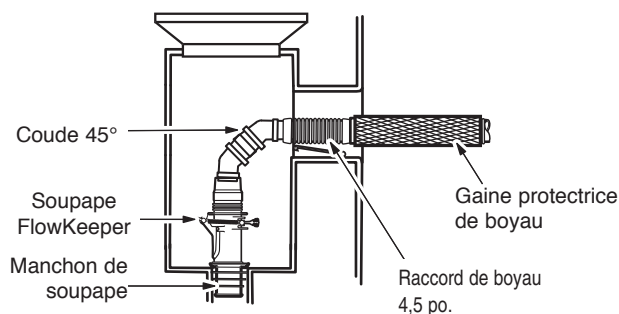
Lorsque la piscine est dotée de deux ou plusieurs écumaires, raccordez le boyau à l'écumoire la plus proche de la pompe.

Les pièces utilisées pour raccorder le boyau, ainsi que l'ordre dans lequel on les installe, dépendent du type d'écumoire.

Écumoire profonde



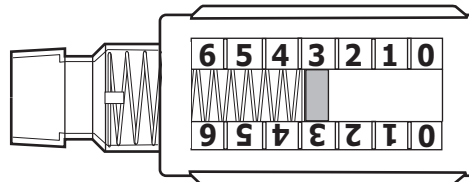
Écumoire peu profonde



1. Retirez le panier de l'écumoire.
2. Introduisez le raccord de soupape et raccordez la soupape FlowKeeper, la flèche pointant vers le bas, en direction du tuyau de l'écumoire.
3. Attachez la gaine protectrice de boyau en filet à la section de boyau qui va dans l'écumoire.
4. Choisissez la combinaison de raccords qui convient le mieux à l'écumoire pour effectuer le raccordement.

Essais et réglages pour un débit approprié

Tout en gardant le boyau submergé, rattachez le débitmètre au boyau et mettez en marche la pompe. Vérifiez que l'indicateur rouge du débitmètre (visualisé de côté) est au point de réglage numéro 3.



Au besoin, utilisez les robinets dans la piscine pour régler le débit.

- **Pour le raccordement des écumeurs sur des piscines à une écumeur**, le débit se règle automatiquement au moyen de la soupape FlowKeeper™. L'indicateur rouge doit être au point de réglage approprié.
- **Pour le raccordement des écumeurs sur des piscines à deux ou plusieurs écumeurs**, laissez ouvert le robinet sur l'écumeur raccordé au boyau et fermez lentement l'autre robinet jusqu'à ce qu'on atteigne le réglage approprié.
- **Pour les raccordements à conduite d'aspiration séparée**, laissez ouverte la conduite d'aspiration et ouvrez lentement la conduite de l'écumeur jusqu'à ce que le débit soit à la valeur de réglage appropriée.

Lorsque le débit est dans la gamme basse des valeurs (0-2) :

- Vérifiez et nettoyez les filtres et paniers de la piscine au besoin.
- Assurez-vous que les robinets commandant les conduites d'aspiration sont dans la

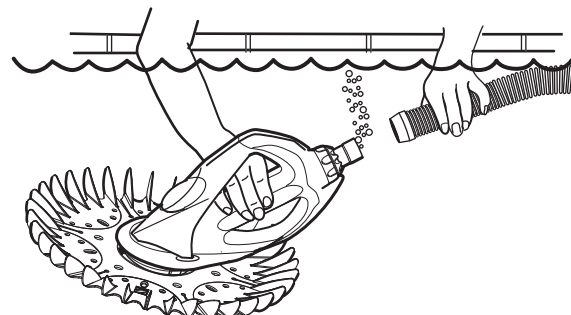
Lorsque le débit est dans la gamme haute des valeurs (4-6):

- Assurez-vous que les robinets commandant les conduites d'aspiration sont dans la position correcte.
- Abaissez la valeur de réglage du débit sur la soupape FlowKeeper.
- Ouvrez partiellement le drain principal pour réduire encore plus le débit.

Branchement de l'appareil de nettoyage

Fermez la pompe. Tout en gardant le boyau sous l'eau, retirez le débitmètre.

1. Submergez l'appareil ainsi que le boyau dans l'eau de la piscine.
2. Lorsque les bulles cessent de s'échapper du tuyau-rallonge, attachez le boyau à l'appareil.
3. Laissez l'appareil de nettoyage dériver jusqu'au fond de la piscine.
4. Mettez en marche l'appareil de nettoyage et commencez le nettoyage.



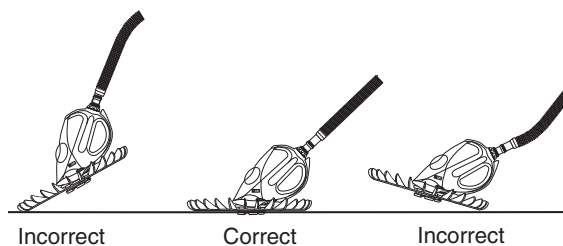
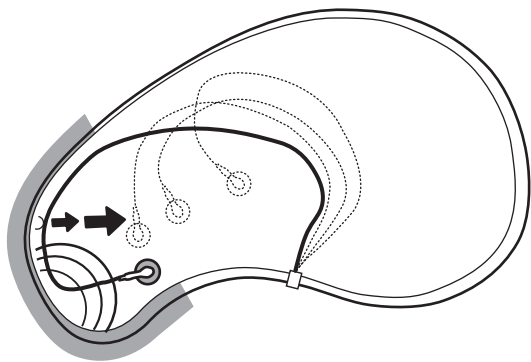
Fonctionnement et entretien

Réglage final de l'appareil de nettoyage

Suivant le cycle de mise en marche et d'arrêt du système de filtration de la piscine, le G4 effectue des évolutions aléatoires dans la piscine, aspirant et nettoyant toutes les surfaces où il passe. Lorsque l'eau s'écoule à travers l'appareil de nettoyage, les saletés et les débris sont entraînés directement dans le système de filtration de la piscine. La surface couverte par l'appareil de nettoyage varie selon la forme de la piscine et son débit d'eau disponible. Dans certaines applications, des réglages peuvent s'avérer nécessaires pour optimiser la couverture de nettoyage.

Un boyau bien équilibré crée un angle de 45 degrés entre l'appareil de nettoyage et le fond de la piscine. Pour rectifier l'équilibre, améliorer la couverture ou empêcher l'appareil de nettoyage de grimper excessivement sur les parois, attachez par pince un poids sur le boyau à environ 1,5 m (5 pi) de l'appareil de nettoyage.

Dans les piscines d'une profondeur de 2,6 m (8,5 pi) ou plus, un poids de boyau supplémentaire (no de pièce W83247) pourrait être nécessaire. Ajoutez le poids de boyau entre 1,5 et 2,4 m (5 pi et 8 pi) de l'appareil de nettoyage.



On peut utiliser une conduite de retour pour écarter l'appareil de nettoyage des escaliers ou des zones à coins en V et pour réduire les évolutions à répétition.

Faites en sorte que le retour pousse doucement sur le boyau de l'appareil de nettoyage en orientant la commande directionnelle de retour vers le mur du côté opposé de la piscine. Réglez l'orientation jusqu'à ce que le mouvement à la surface soit visible à 2,4 m (8 pi) du retour.

Dans cet exemple, toute conduite de retour dans la zone grise peut être utilisée.

Entretien courant

Pour maintenir la performance de l'appareil :

- N'enroulez jamais le boyau. Un boyau courbé peut être redressé en le passant sous l'eau chaude ou en le laissant exposé au soleil pendant une journée. **Un boyau déformé ou courbé compromettra la couverture de la piscine par le G4.**
- Lorsqu'il n'est pas dans la piscine, maintenez le disque à plat pour éviter qu'il ne se voile.
- Inspectez périodiquement le niveau d'usure des pièces de l'appareil.
- Nettoyez régulièrement et en profondeur le panier de l'écumoire, le panier de la pompe et le filtre. **Il faut toujours débrancher l'appareil avant de laver à contre-courant.** Faites tourner le système de filtration pendant au moins cinq minutes avant de rebrancher l'appareil.
- Retirez l'appareil de nettoyage de la piscine avant un processus de superchloration ou d'ajouter des produits chimiques dans la piscine. Attendez au moins quatre heures avant de rebrancher l'appareil.

Dégagement de l'obturateur

Utilisez le Système d'accès rapide à cassette pour dégager rapidement l'obturateur ou pour y rechercher des traces d'endommagement.

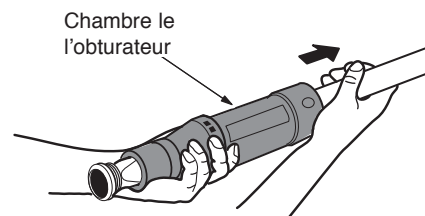
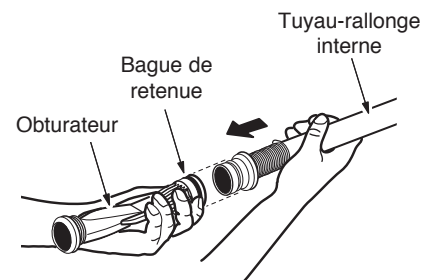
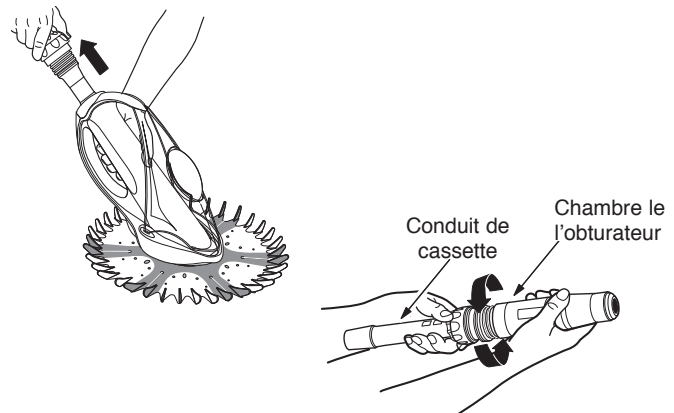
Pour dégager l'obturateur :

1. Dévissez la cassette et retirez-la de l'appareil de nettoyage.
2. Desserrer la chambre de cassette; sortez le tuyau-rallonge interne et l'obturateur.
3. Retirez l'obturateur.

Examinez-le pour toute trace de débris ou d'usure et rincez-le soigneusement à l'eau. Remplacez l'obturateur si nécessaire.

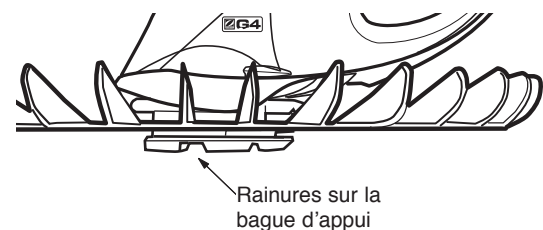
Installation :

1. Vérifiez que la bague de retenue est bien sur l'obturateur.
2. Placez l'obturateur par-dessus le tuyau-rallonge interne.
3. Tirez le tuyau-rallonge interne et l'obturateur dans la chambre jusqu'à ce que l'obturateur soit appuyé contre la languette.
4. Reposez le tuyau-rallonge externe et serrez bien l'écrou manuel. Ne serrez pas trop fort.



Remplacement de la bague d'appui

On doit remplacer la bague d'appui lorsque la profondeur des rainures entre les sculptures est de 3 mm (1/8 po) ou moins. Communiquez avec votre concessionnaire Baracuda qui pourra vous assister dans le remplacement de cette pièce.



L'entreposage et entretien en hiver

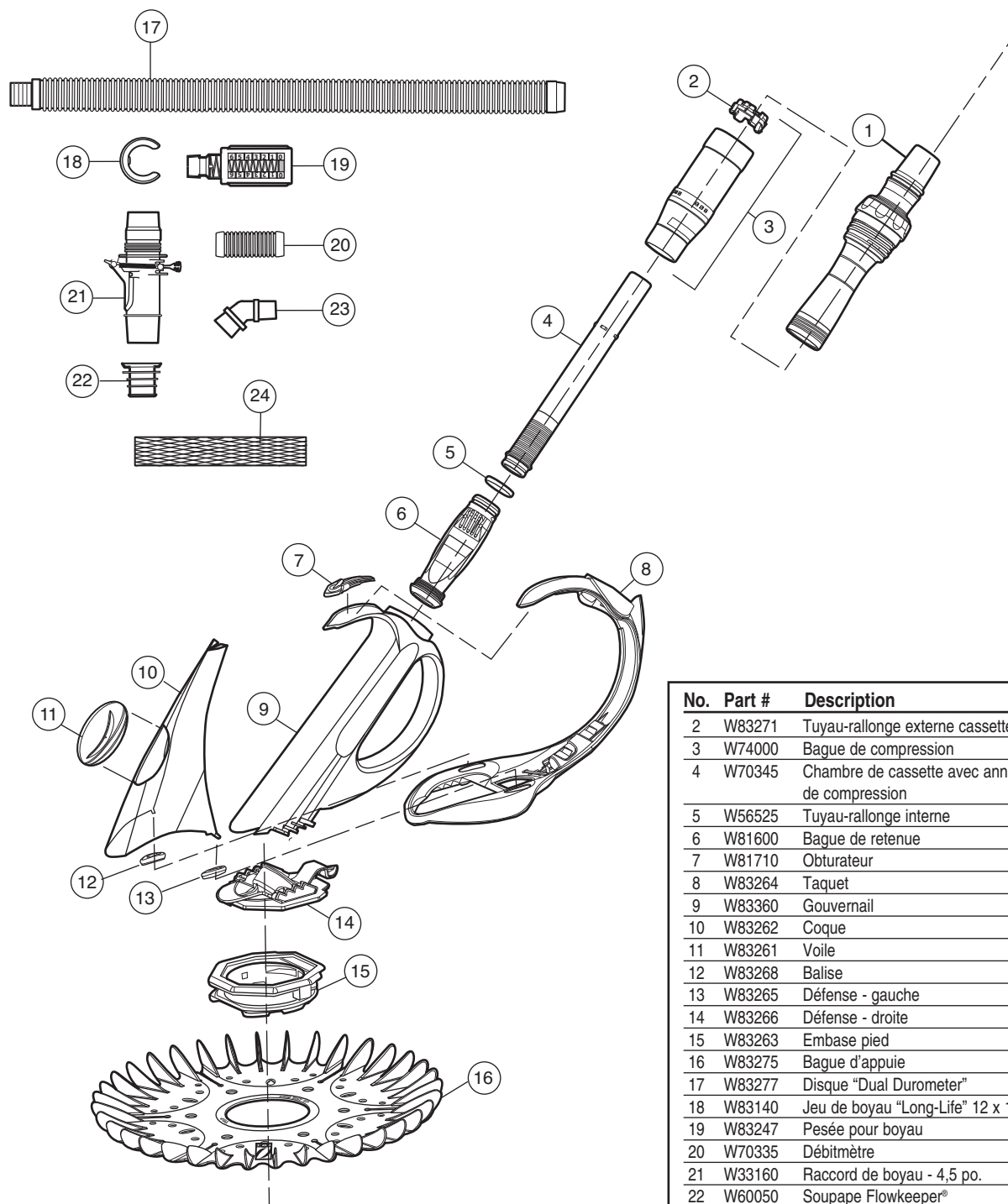
N'enroulez jamais le boyau. Gardez l'appareil à l'abri du soleil direct. Pour l'entreposage durant l'hiver, drainez tout l'eau de l'appareil et des boyaux. Retirez tous les connecteurs et adaptateurs de l'écumoire. Entreposez le disque à plat et les sections de boyau débranchées et droites.

Dépannage

En cas de problème avec votre G4, veuillez suivre les étapes de dépannage suivantes pour rétablir la performance de l'appareil. Contactez le Service à la Clientèle de Zodiac pour toute assistance. Veuillez avoir le numéro de série et la date d'achat de l'appareil disponibles avant d'appeler.

Problème	Solution
L'appareil de nettoyage ne bouge pas ou bouge lentement.	<ul style="list-style-type: none"> • Confirmez la fermeture du drain conduite principal. • Utilisez le débitmètre pour vérifier le débit approprié. Remarque : En cas de température de l'eau de 16° C (60° F) ou inférieure, il peut être nécessaire d'augmenter le débit pour compenser la flexibilité réduite du boyau et de l'obturateur. • Vérifiez si l'obturateur est abîmé ou usé. • Nettoyez les paniers et le filtre. • Vérifiez s'il y a de l'air dans le système. Si le niveau d'eau dans le panier de la pompe baisse, ou que vous voyez un excédent de bulles d'air dans le panier ou en provenance des boyaux de retour, c'est qu'il y a de l'air dans le système. Vérifiez les connexions du boyau, resserrez tous les raccords à la pompe et vérifiez si les joints dans le panier de la pompe sont usés.
L'appareil suit un certain schéma et ne couvre pas toute la piscine.	<ul style="list-style-type: none"> • Utilisez le débitmètre pour vérifier le débit approprié. Augmentez le débit pour améliorer la montée en pente. Réduisez-le pour éloigner l'appareil de nettoyage des murs. • Vérifiez que les jets de refoulement sont dirigés vers le bas. Ajoutez un déflecteur de retour, si nécessaire. • Vérifiez que le boyau n'est ni déformé ni coudé. Étendez le boyau au soleil pour le redresser, si nécessaire. • Vérifiez que la pesée de boyau est à 1,5 m (5 pi) de l'appareil G4. • Vérifiez que le boyau est de la longueur correcte.
L'appareil de nettoyage reste fixé par moments.	<ul style="list-style-type: none"> • Utilisez le débitmètre pour vérifier le débit approprié. • Vérifiez que le boyau est de la longueur correcte. Raccourcissez-le si nécessaire. • Utilisez le débit provenant du jet de retour pour guider l'appareil.
L'appareil de nettoyage reste sur les parois de la piscine.	<ul style="list-style-type: none"> • Le débitmètre servant de guide, réduisez le débit vers l'appareil de nettoyage. • Vérifiez que la pesée de boyau est à 1,5 m (5 pi) de l'appareil G4.
L'appareil de nettoyage ne parvient pas à monter sur les parois de la piscine.	<p>Nota : Il est possible que l'appareil de nettoyage ne monte pas sur les de certaines piscines en vinyle ou piscines avec rebords de sécurité.</p> <ul style="list-style-type: none"> • Le débitmètre servant de guide, réduisez le débit vers l'appareil de nettoyage. • Vérifiez que la pesée de boyau est à 1,5 m (5 pi) de l'appareil G4.

G4 Diagramme des pièces



No.	Part #	Description	Qty
2	W83271	Tuyau-rallonge externe cassette	1
3	W74000	Bague de compression	1
4	W70345	Chambre de cassette avec anneau de compression	1
5	W56525	Tuyau-rallonge interne	1
6	W81600	Bague de retenue	1
7	W81710	Obturbateur	1
8	W83264	Taquet	1
9	W83360	Gouvernail	1
10	W83262	Coque	1
11	W83261	Voile	1
12	W83268	Balise	1
13	W83265	Défense - gauche	1
14	W83266	Défense - droite	1
15	W83263	Embase pied	1
16	W83275	Bague d'appuie	1
17	W83277	Disque "Dual Durometer"	1
18	W83140	Jeu de boyau "Long-Life" 12 x 1 mètre	1
19	W83247	Pesée pour boyau	1
20	W70335	Débitmètre	1
21	W33160	Raccord de boyau - 4,5 po.	1
22	W60050	Soupape Flowkeeper®	1
23	W70263	Manchon de soupape	1
24	W70244	Coude 45°	2
25	W33800	Gaine protectrice de boyau	1

Zodiac Pool Systems, Inc.

2620 Commerce Way, Vista, CA 92081

1.800.822.7933 | www.ZodiacPoolSystems.com

Zodiac Pool Systems Canada, Inc.

2115 South Service Road West, Unit #3, Oakville, ON L6L5W2

1.888.647.4004 | www.ZodiacPoolSystems.ca

*ZODIAC® is a registered trademark of Zodiac International, S.A.S.U., used under license.
All trademarks referenced herein are the property of their respective owners.*

*ZODIAC® est une marque déposée de Zodiac International, SASU, utilisée sous licence.
Toutes les autres marques citées sont la propriété respective de leur propriétaire.*

©2011 Zodiac Pool Systems, Inc. TL-2025 Rev A 1104

